

BILLET

WALLGRAZER INTEGRAL - WET LOCATION

bold
lighting



The Billet family of products allows you to achieve uniformity throughout indoor and outdoor spaces while maintaining the same optical performance, light consistency, and overall aesthetics.

The Billet Wallgrazer delivers unmatched vertical illumination with virtually zero glare. The Billet confidently delivers a flawless light distribution and a beautifully finished product.

CONSTRUCTION

Product Type : Linear
Body Material : Extruded Aluminum
Body Finish : Black / Grey / White
 Custom RAL

IP Rating : IP67 Inground
 IP66 Ceiling Recessed
IK Rating : IK10

Drive Over Rating : Billet Inground is designed to bear static loads up to 2500 lbs. from vehicles with pneumatic tires. This product is not intended to be used for traffic lanes. Chicago plenum rated

INSTALLATION

Environment : Wet Location
Mounting : Inground / Ceiling Recessed (Trim & Trimless) / Wall Recessed (Trim & Trimless) / Surface Mounted Wall Mounted / Pendant

OPTICS

Optical Distribution : Wallgraze
Glare Control : UGR<19

LIGHT SOURCE

Direct Light Source : Hi-power LEDs
Luminous Output : from 385lm/ft. to 1485lm/ft. (Delivered)
Light Source CCT : 2700K / 3000K / 3500K 4000K / Tunable White (2700K-5000K)
 Dim-to-Warm (3000K-1800K) / RGBW
Color Rendering Index : Ra90
Lifetime : L80 B10 @ 70,000 Hrs

ELECTRICAL

Input Voltage : 120V / UNV 120-277V - 50Hz/60Hz
Load : 5W/ft. to 20W/ft.
Output Type : Constant Current
Driver Type : Integral
Dimming : 0-10V / DALI / ELV / DMX / Lutron Hi-Lume
Code Compliance : ETL / CSA / CE

Series	Mounting	Nominal Length ¹
BOW	R Recessed with Trim	12 12"
	T Recessed Trimless*	24 24"
	S Surface Mounted	36 36"
	P Pendant	48 48"
	I Inground*	60 60"
	W Wall Mounted	XX Custom in
	*For Inground "I" and Recessed Trimless "T" mountings, the housings will show on the price quote and order as a separate item to allow us to ship them ahead of the fixtures if required by the contractor.	

Code example: **BOW**-P12W-L1B-W-G927-0

Body Finish	Output	Voltage	Dimming	Baffles	Beam Angle	CRI	Color Temp	Emergency
B Black	L² 440lm/ft (5W)	1 120V	A No Dimming	W Flat White	G Grazer	9 +90	27 2700K	0 No
G Grey	M² 765lm/ft (10W)	U⁶ Universal 120 to 277V	B 0-10V to 1%	B Flat Black			30 3000K	
W White	H² 1075lm/ft (15W)		D DALI to 1%	N Black Nickel			35 3500K	
X Custom RAL	V² 1390lm/ft (20W)		E ELV Dimming	C Specular Chrome			40 4000K	
	D³ 420lm/ft (9W)		F DMX	E Diffuse Gold			WD 3000K-1800K	
	W³ 1195lm/ft (18W)		G⁷ LUTRON	X Custom			TW 2700K - 5000K	
	U⁴ 650lm/ft (10W)						CC⁸ RGBW	
	A⁴ 1195lm/ft (20W)							
	C⁵ 1005lm/ft (20W)							

Notes:
¹ 6" length increments available as a modification.
² Denotes output at 3000K, unless otherwise noted.
³ Denotes output specific to Dim-to-Warm at 3000K.
⁴ Denotes output specific to Tunable White at full on.
⁵ Denotes RGBW (C) output with all colors at full power.
⁶ Not applicable for ELV dimming.
⁷ Hi-lume, Vive, and Athena compatible.
⁸ Only available with DMX dimming.

Consult factory for lead-times.
 Consult factory for systems using multiple optics and mounting configurations.



Bold Lighting
 4710 Ecton Dr., Marietta, GA 30066, USA
 info@boldlighting.us www.boldlighting.us t: +1-678-903-4061

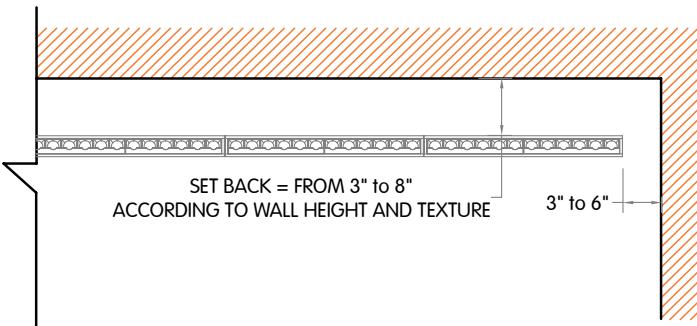
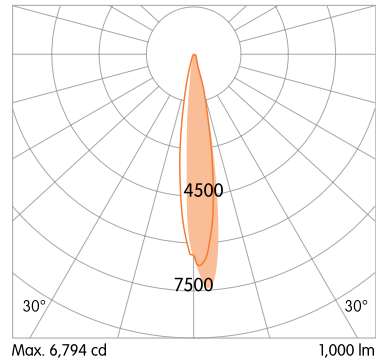
OPTICAL FLEXIBILITY

BAFFLED WALLGRAZER



Billet wallgrazer delivers maximum performance for emphasizing textured and rough vertical surfaces. The standard output illuminates walls up to 14'-0" with outstanding transversal and longitudinal glare control.

15° Wallgrazer

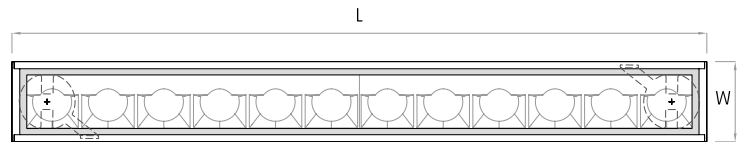
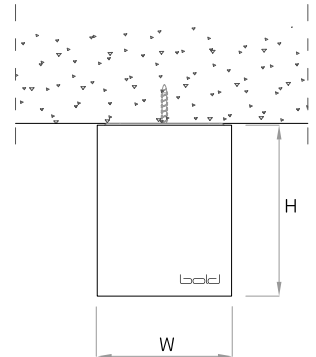


MOUNTING FLEXIBILITY

SURFACE MOUNTED



Actual
 L= 24^{1/2}" | 36^{5/16}" | 48^{1/8}" | 59^{5/16}" |
 Continuous runs
 W= 2^{13/16}"
 H= 3^{9/16}"

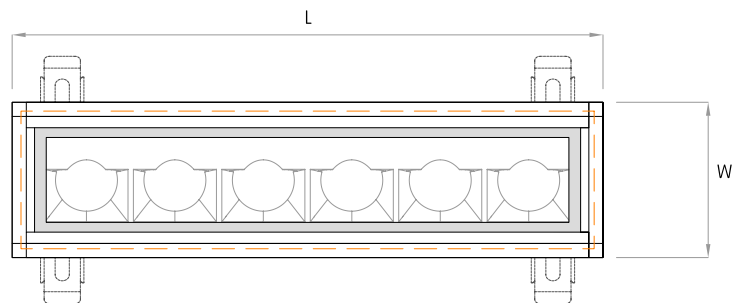
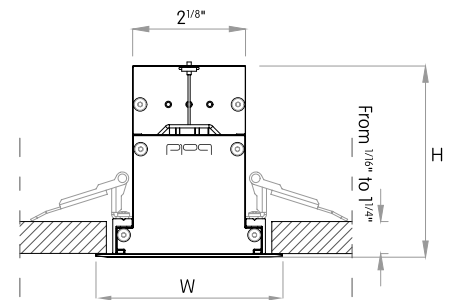


RECESSED WITH TRIM



(L-13^{3/16}" x W-13^{1/16}")


Actual
 L= 13^{3/16}" | 25" | 36^{13/16}" |
 48^{5/8}" | 60^{7/16}" |
 Continuous runs
 W= 3^{7/16}"
 H= 3^{9/16}"



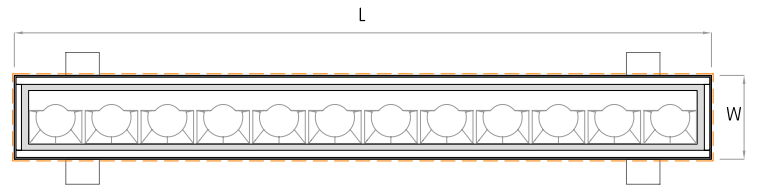
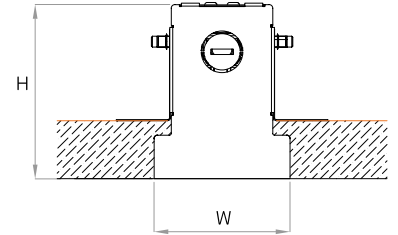
MOUNTING FLEXIBILITY

RECESSED TRIMLESS

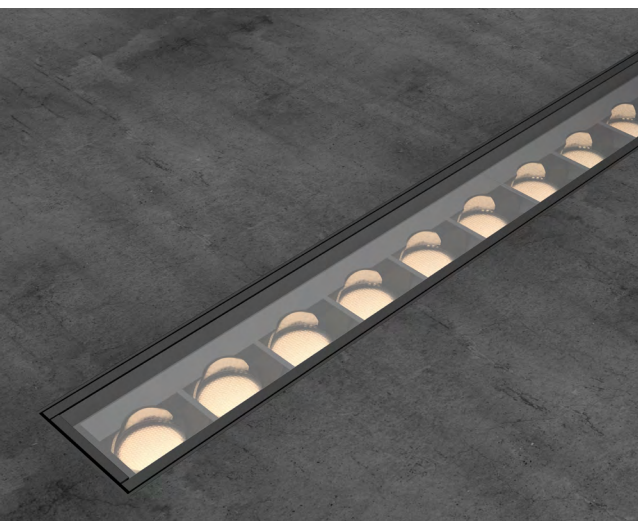


 ($L+1/16''$ x $W+1/16''$)

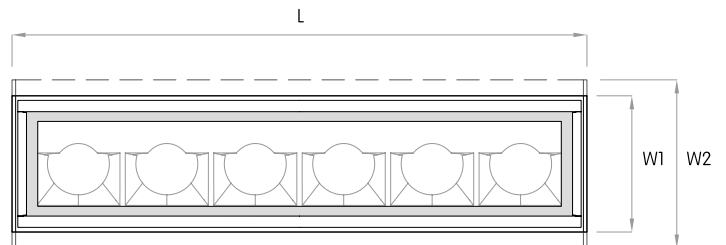
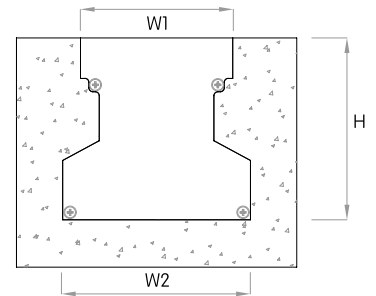
Actual
 $L = 24^{5/8}''$ | $36^{3/8}''$ | $48^{1/4}''$ | $60''$ |
 Continuous runs
 $W = 2^{15/16}''$
 $H = 3^{13/16}''$



INGROUND



Actual
 $L = 12^{13/16}''$ | $24^{5/8}''$ | $36^{7/16}''$ |
 $48^{1/4}''$ | $60''$ |
 Continuous runs
 $W1 = 3''$ | $W2 = 3^{3/4}''$
 $H = 3^{5/8}''$



MOUNTING FLEXIBILITY

PENDANT



Actual

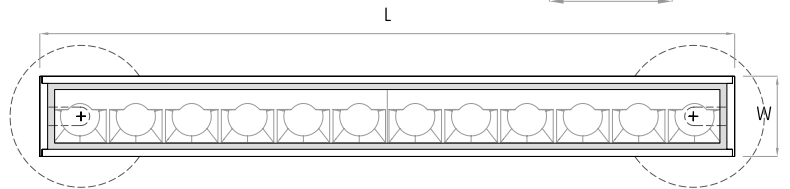
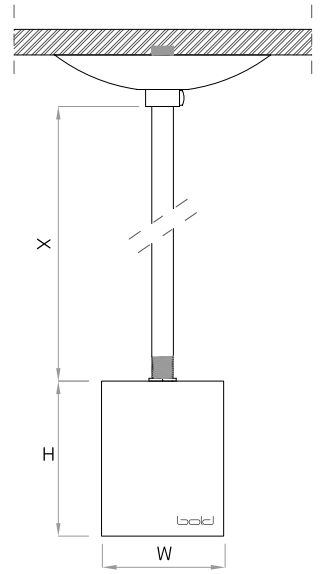
L= 24¹/₂" | 36⁵/₁₆" | 48¹/₈" | 59¹⁵/₁₆" |

Continuous runs

W= 2¹³/₁₆"

H= 3⁹/₁₆"

X= 59"



WALL MOUNTED



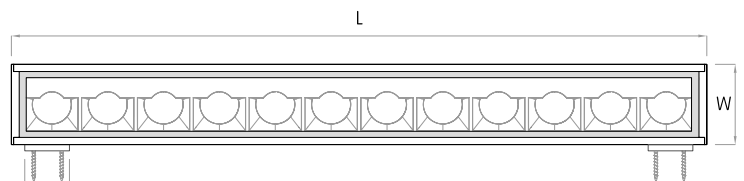
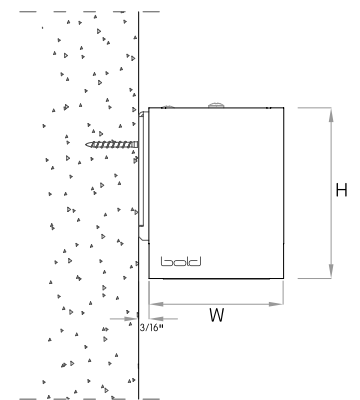
Actual

L= 24¹/₂" | 36⁵/₁₆" | 48¹/₈" | 59¹⁵/₁₆" |

Continuous runs

W= 2¹³/₁₆"

H= 3⁹/₁₆"



(2x) 1⁹/₁₆"



DELIVERED LUMEN OUTPUT

Per Linear Foot

Output Watts CRI +90

STATIC-WHITE		2700K	3000K	3500K	4000K
L	5W	385 lm	440 lm	420 lm	425 lm
M	10W	725 lm	765 lm	780 lm	795 lm
H	15W	1050 lm	1075 lm	1135 lm	1160 lm
V	20W	1350 lm	1390 lm	1460 lm	1485 lm

DIM-TO-WARM 3000K-1800K		3000K			
D	9W	420 lm			
W	18W	1195 lm			

TUNABLE WHITE 2700K-5000K		2700K				5000K
U	10W	650 lm				650 lm
A	20W	1195 lm				1195 lm

RGBW		R	G	B	W
TOTAL	20W	615 lm	1005 lm	155 lm	955 lm

DIMENSIONS TABLE

		12"		24"		36"		48"		60"				
		Height		Width		Actual Length								
Surface Mounted	mm	inch	mm	inch	mm	inch	mm	inch	mm	inch	mm	inch	mm	inch
		91	3 9/16	72	2 13/16			622	24 1/2	922	36 5/16	1222	48 1/8	1522
Recessed with Trim	91	3 9/16	88	3 7/16	335	13 3/16	634	25	934	36 13/16	1234	48 5/8	1534	60 7/16
Recessed Trimless	97	3 13/16	75	2 15/16			624	24 5/8	924	36 3/8	1224	48 1/4	1524	60
Pendant	91	3 9/16	72	2 13/16			622	24 1/2	922	36 5/16	1222	48 1/8	1522	59 15/16
Inground (with housing)	92	3 5/8	95	3 3/4	325	12 13/16	625	24 5/8	925	36 7/16	1225	48 1/4	1525	60
Wall Mounted	91	3 9/16	72	2 13/16			622	24 1/2	922	36 5/16	1222	48 1/8	1522	59 15/16

