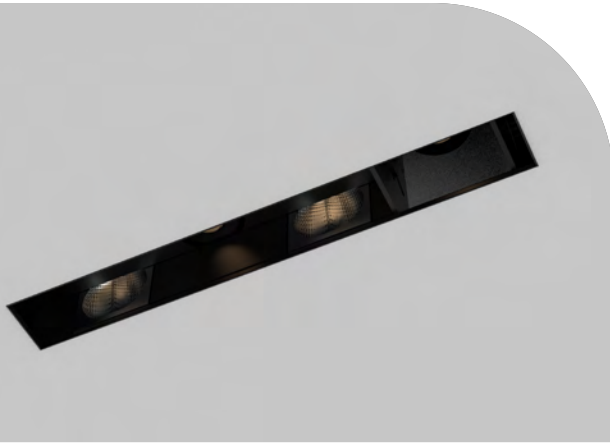


ghost

INTANGIBLE PRESENCE

by




bold



Ghost is a unique optical lighting system designed to disappear in a narrow 1" slot. The optics are deeply regressed to give the impression of a slim void and the mud flange provides a trimless integration in gypsum ceilings, also available with trim option. Ghost relies on indirect light reflectors and double focus lens technology to achieve glare-free optics. It offers an infinite number of optical iterations allowing transitions from a fixed downlight to an adjustable downlight, to a single wallwash and even to a double wallwash. All these optics are integrated into a compact slot for an outstanding quiet lighting effect.

- Discreet and regressed source of light
- UGR <10
- Multi-Optics configurations
- Fixed Downlight, Wallwash, and Adjustable Accent from a 30mm Slot
- Unobstructed complete beams even with 40° tilt

## PRODUCT CONFIGURATION :

Series	Mounting	Nominal Length <sup>1</sup>	Body Finish	Wallwash <sup>2</sup>	Wallwash Output	Downlight Options	Downlight Output	Beam Angle
<b>GI</b>	<b>R</b> Recessed with Trim	<b>1</b> 1 Module /6"	<b>W</b> White	<b>0</b>  No Washer 0 per module	<b>L</b> 4W	<b>0</b> 0 per module	<b>L</b> 4W	<b>S</b> 10°
	<b>T</b> Recessed Trimless	<b>2</b> 2 Module /12"	<b>B</b> Black	<b>2</b>  Wallwash One side	<b>M</b> 8W	<b>1</b> 1 per module	<b>M</b> 8W	<b>M</b> 24°
			<b>G</b> Grey <b>X</b> Custom RAL	<b>4</b>  Wallwash Both sides	<b>X</b> N/A	<b>2</b> 2 per module	<b>H</b> N/A	<b>F</b> 36° <b>X</b> N/A

Adjustable Options	Adjustable Output	Beam Angle	Voltage	Dimming	CRI	Color Temp	Emergency	Circuits
<b>0</b> 0 per module	<b>L</b> 4W	<b>S</b> 10°	<b>1</b> 120V	<b>A</b> No Dimming	<b>9</b> +90	<b>27</b> 2700K	<b>0</b> no	<b>1</b> 1 Circuit
<b>1</b> 1 per module	<b>M</b> 8W	<b>M</b> 24°	<b>U<sup>3</sup></b> Universal	<b>B</b> 0-10V to 1%		<b>30</b> 3000K	<b>9</b> 90 mins	<b>2</b> 2 Circuits
<b>2</b> 2 per module	<b>X</b> N/A	<b>F</b> 36° <b>X</b> N/A	120V to 277V	<b>C</b> 0-10V to Fade-off		<b>35</b> 3500K		<b>3</b> 3 Circuits
				<b>D</b> DALI to 1%		<b>40</b> 4000K		<b>4</b> 4 Circuits
				<b>E</b> ELV Dimming				
				<b>F</b> DMX				
				<b>G<sup>4</sup></b> LUTRON				

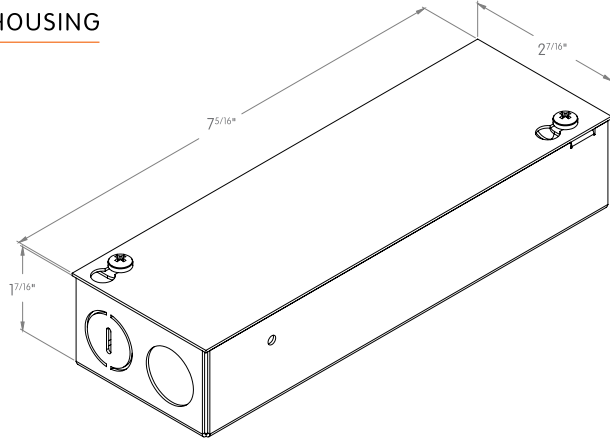
Notes:

- <sup>1</sup> For exact lengths refer to dimensions table.
- <sup>2</sup> Double the output for the both sides case.
- <sup>3</sup> Not applicable for ELV dimming.
- <sup>4</sup> Hi-lume 1% EcoSystem Soft-on, Fade-to-Black dimming.

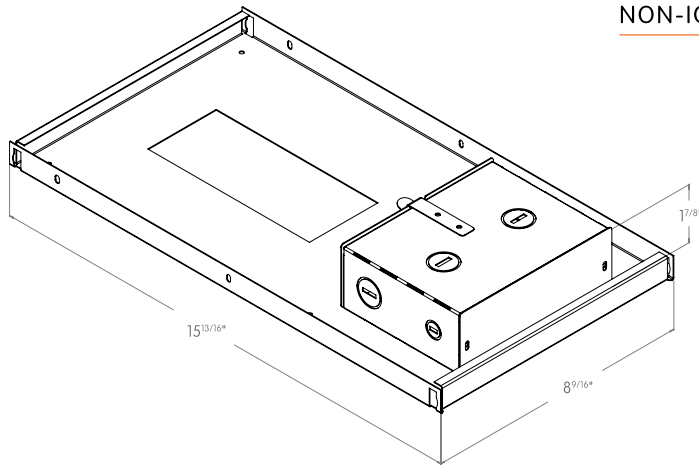
Consult factory for lead-times.  
Consult factory for systems using multiple optics and mounting configurations.



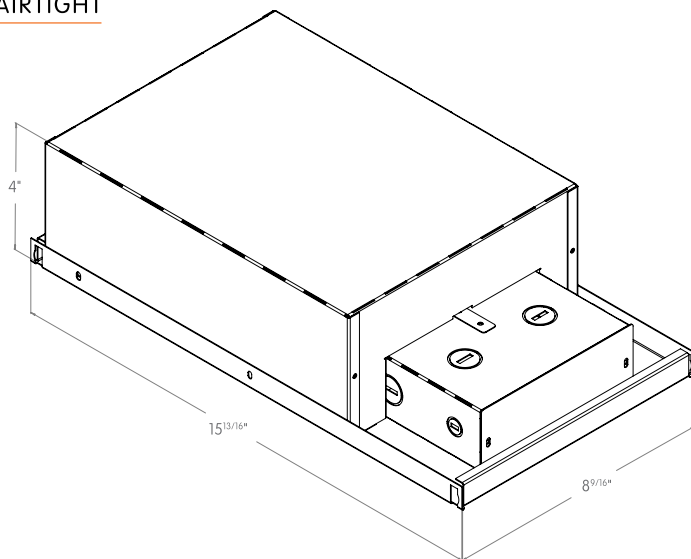
REMODEL HOUSING



NON-IC HOUSING

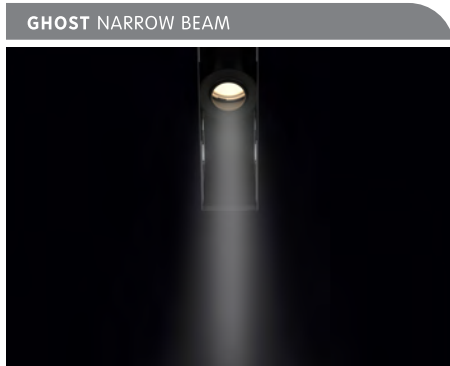


IC HOUSING & AIRTIGHT



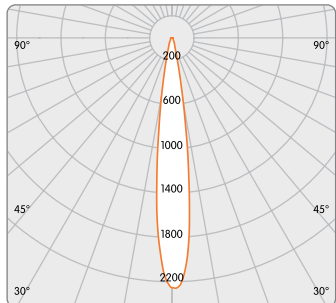
## OPTICAL FLEXIBILITY

### Photometric data: Fixed and Adjustable Polar Curves



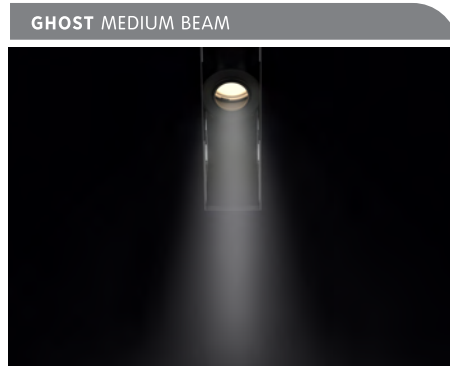
GHOST NARROW BEAM

Narrow 10°



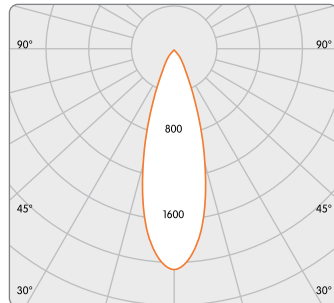
Max. 2,350 cd 1,000 lm

The narrow 10° beam is ideal for high-ceiling applications and for emphasizing texture on vertical surfaces and architectural elements.



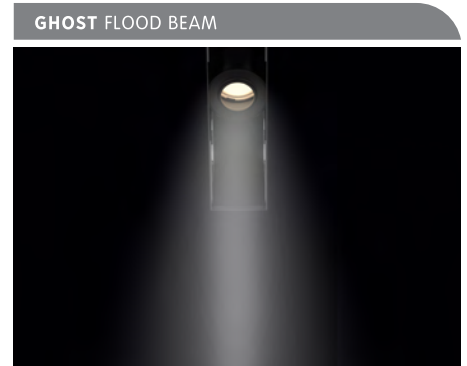
GHOST MEDIUM BEAM

Medium 24°



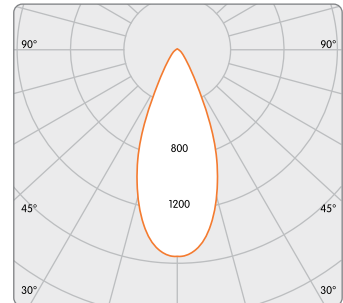
Max. 2,055 cd 870 lm

The medium 24° beam is a versatile distribution that works in a wide range of applications and spaces. This optic is a nice balance between light punch and ambient uniformity.



GHOST FLOOD BEAM

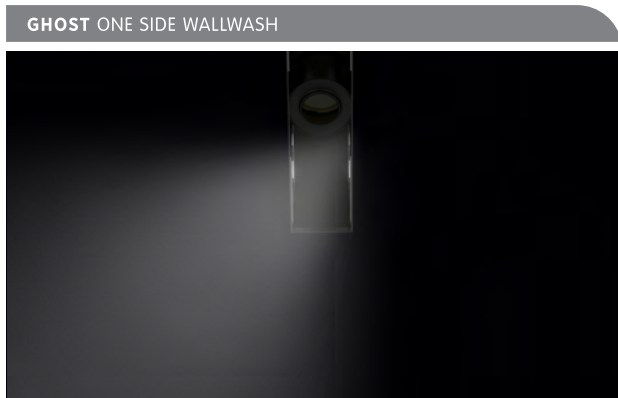
Flood 36°



Max. 1,530 cd 870 lm

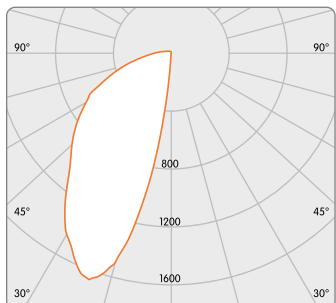
A 36° flood beam is the optimal option for achieving efficient ambient lighting with excellent uniformity and very low glare.

### Photometric data: Wallwash Polar Curve

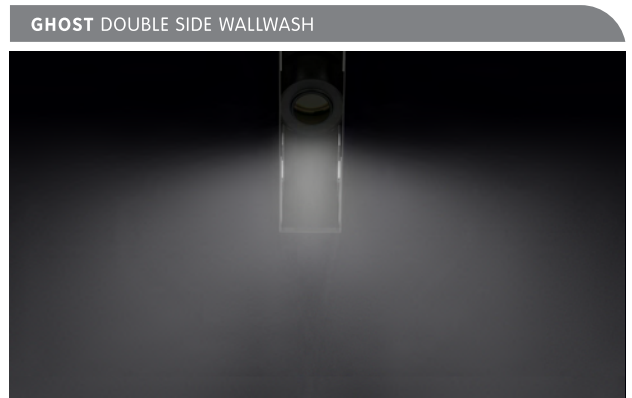


GHOST ONE SIDE WALLWASH

One side Wallwash

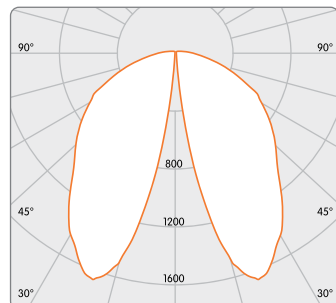


Max. 1,657 cd 500 lm



GHOST DOUBLE SIDE WALLWASH

Double side Wallwash



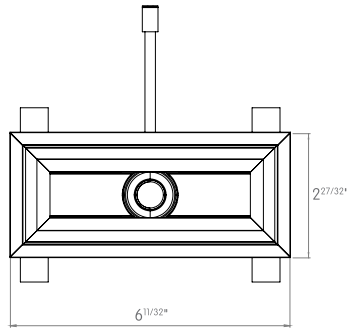
Max. 1,657 cd 500 lm

Ghost wallwash provides even illumination of vertical surfaces. This optic is ideal for washing large areas where exceptional uniformity is required.

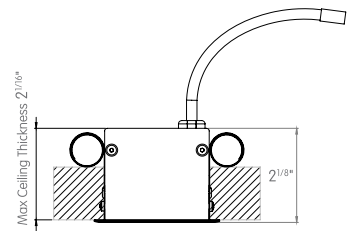


# MOUNTING FLEXIBILITY

## FIXED WITH TRIM

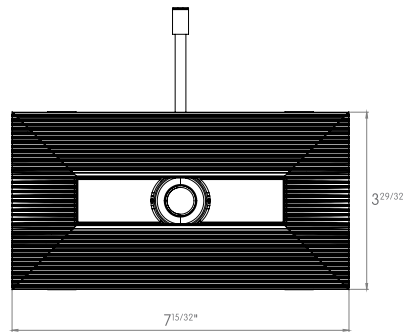


TOP VIEW

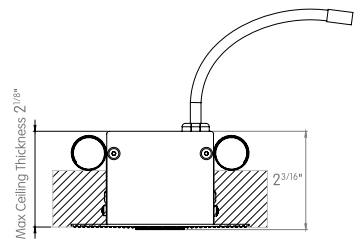


FRONT VIEW

## FIXED TRIMLESS

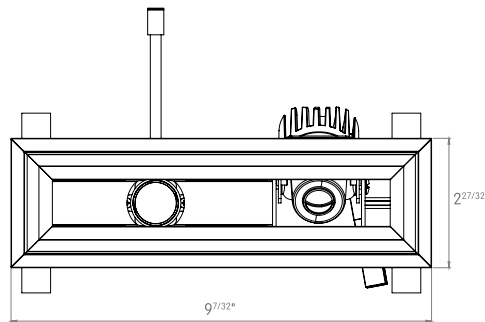


TOP VIEW

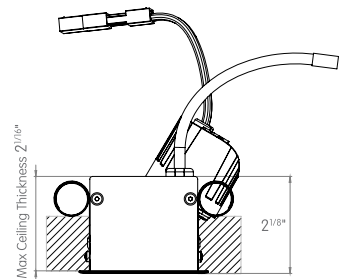


FRONT VIEW

## ADJUSTABLE WITH TRIM

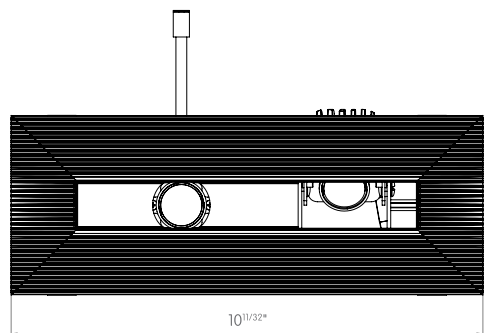


TOP VIEW

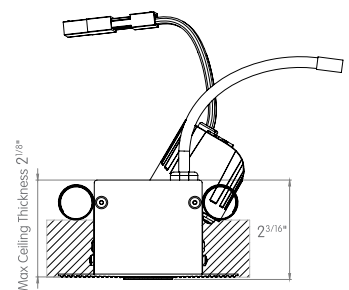


FRONT VIEW

## ADJUSTABLE TRIMLESS



TOP VIEW



FRONT VIEW



## DELIVERED LUMEN OUTPUT

Output	Watts	CRI +80				CRI +90			
		2700K	3000K	3500K	4000K	2700K	3000K	3500K	4000K
<b>APPLICATION</b>	<b>4W</b>	<b>2700K</b>	<b>3000K</b>	<b>3500K</b>	<b>4000K</b>	<b>2700K</b>	<b>3000K</b>	<b>3500K</b>	<b>4000K</b>
<b>Wallwash</b>	4W	370lm	380lm	400lm	410lm	300lm	320lm	330lm	340lm
<b>Fixed Downlight</b>	4W	380lm	400lm	420lm	440lm	320lm	335lm	350lm	360lm
<b>Adjustable Downlight</b>	4W	380lm	400lm	420lm	440lm	320lm	335lm	350lm	360lm
	<b>8W</b>	<b>2700K</b>	<b>3000K</b>	<b>3500K</b>	<b>4000K</b>	<b>2700K</b>	<b>3000K</b>	<b>3500K</b>	<b>4000K</b>
<b>Wallwash</b>	8W	700lm	720lm	760lm	770lm	580lm	600lm	630lm	640lm
<b>Fixed Downlight</b>	8W	760lm	785lm	820lm	850lm	630lm	650lm	680lm	700lm
<b>Adjustable Downlight</b>	8W	760lm	780lm	820lm	850lm	630lm	650lm	680lm	700lm

## Wallwash and Downlight Isolux

