

# SNOOT

SNOOT 0, 1 & 2



SNOOT 0

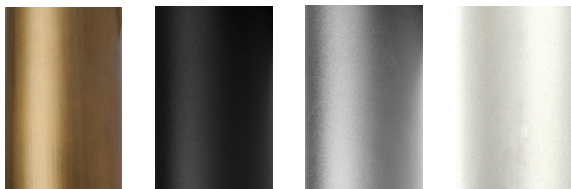


SNOOT 1



SNOOT 2

## Standard Finishes



**BZ**

**BL**

**SL**

**WH**

## LABELS:



ETL tested to UL standards 2108, Dry Location



CE Certified

WARRANTY: 5 year limited on LED and driver. See website for details

Our Magnetic track system, SPECTER, is a highly configurable, 2 circuits, 24VDC low voltage track system. Thanks to its magnet mounting technology, the modules are inter-changeable instantaneously. Our track is available in ceiling pendant, surface and recessed mounting for both ceiling and walls. SPECTER track is also available with an optional linear uplight feature.

The snoot module complements the SPECTER range with a minimalist cylinder track-head equipped with a wide range of optics and optical accessories allowing professional scenography lighting.

- Up to 1,800lm delivered output
- Available in 3 diameter sizes, 1.5", 2" and 3.6"
- Various optical accessories available such as beam shaping lenses, Honeycomb louvers or barndoors
- Beam options, narrow, medium, Flood and wide
- Fixtures designed to mount in SPECTER track
- Available in 4 standard finishes: Black, white, silver and bronze

Notes: Track available in 0-10V, ELV and DALI dimming

## Code example:

**SNT-1-927-M-BL**

Size / Output*			CRI		CCT.		Beam		Finish	
0	Diameter 1.5"	740lm (8W)	8	+80	27	2700K	N	12°	WH	Flat White
1	Diameter 2"	1230lm (15W)	9	+90	30	3000K	M	24°	BL	Flat Black
2	Diameter 3.6"	1800lm (20W)			35	3500K	F	36°	SL	Silver
					40	4000K	W	50°	BZ	Bronze

## Delivered Lumen Output

Size	Watts	CRI +80			CRI +90		
		2700K	3000K	4000K	2700K	3000K	4000K
0	8W	670lm	744lm	876lm	630lm	700lm	824lm
1	15W	1100lm	1222lm	1438lm	1040lm	1156lm	1359lm
2	20W	1620lm	1800lm	2118lm	1470lm	1633lm	1922lm

Bold Lighting  
Atlanta, Georgia, USA  
www.boldlighting.us

e: info@boldlighting.us t: +1-833-BOLD-1-US +1-833-265-3187

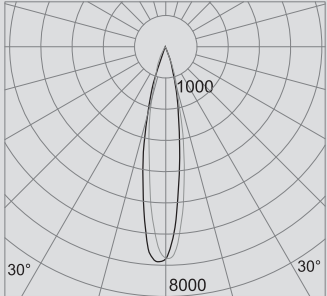
# SNOOT

SNOOT 0, 1 & 2



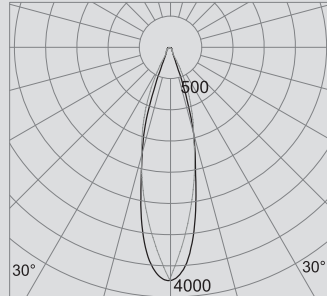
Photometric data: Type C Polar Curves

12° Beam Angle



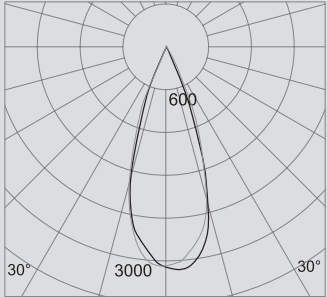
Max. 6,987 cd 1,000 lm

24° Beam Angle



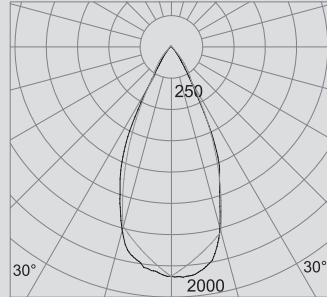
Max. 3,550 cd 1,000 lm

36° Beam Angle



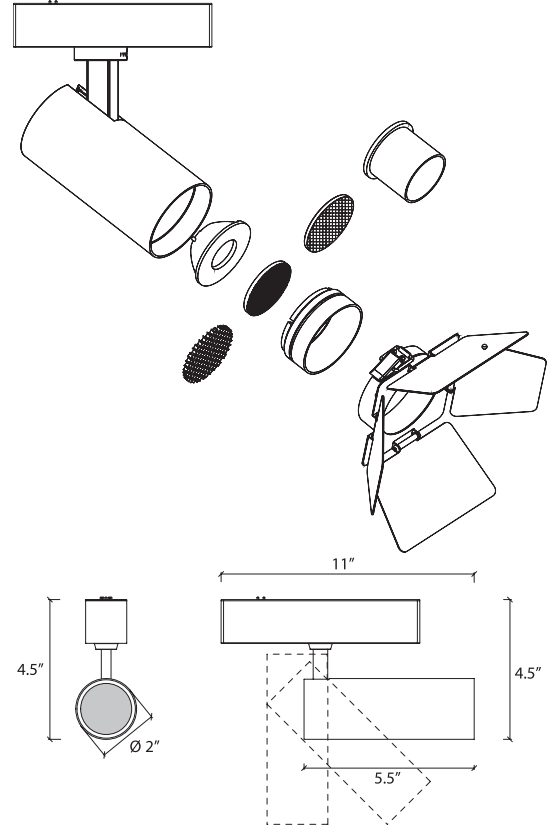
Max. 3,040 cd 1,000 lm

50° Beam Angle

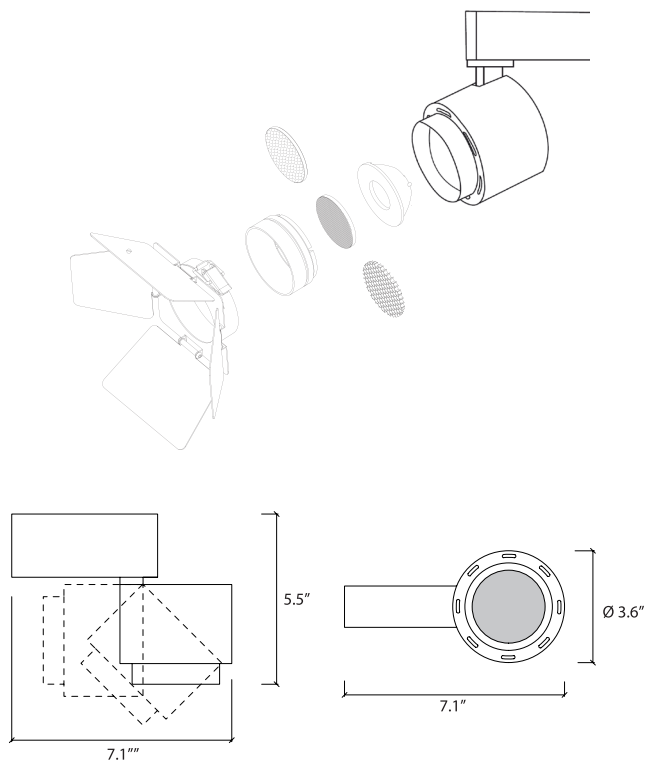


Max. 1,835 cd 1,000 lm

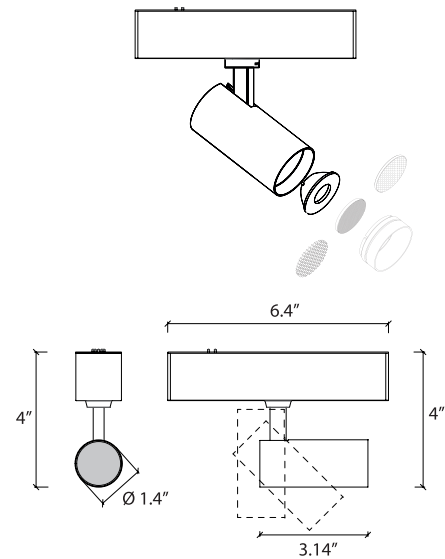
## SNOOT 1



## SNOOT 2



## SNOOT 0



# SNOOT

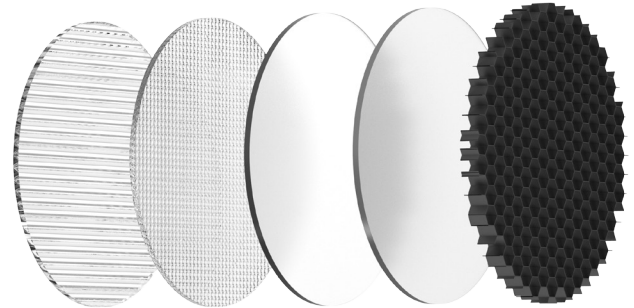
SNOOT 0, 1 & 2



Optical accessories : Lenses and anti-glare devices



**B:** BARNDOORS



**L:** Linear Lens  
**S:** Solite Lens  
**F:** Frosted Lens  
**V:** Beam Shaping Lens  
**H:** Hexcell Louvers

Fits model # / Size		Beam		Finish	
Snoot 0	Diameter 1.5"	S	Solite	—	None
Snoot 1	Diameter 2"	L	Linear	BL	Flat Black
Snoot 2	Diameter 3.6"	F	Frosted	SL	Silver
		V	Beam Shaping	WH	White
		H	Hexcell Louvers		
		B	Barndoors		

## Beam Shaping lenses Options

	No Filter Beam Shaping Filter	C-HE10	C-HE15	C-HE20	C-HE30	C-HE40	C-HE55	C-HE80
FWHM Beam Angle	15°	18°	21°	25°	35°	46°	65°	80°

Special Beam Shapes	No Filter Beam Shaping Filter	Elliptical 6010	Elliptical 6030	Direction Turning 8°	Direction Turning 20°	C-HE40	C-HE55	C-HE80
FWHM Beam Angle	15°	60° x 10°	60° x 30°	▷ 8°	▷ 20°	46°	65°	80°

